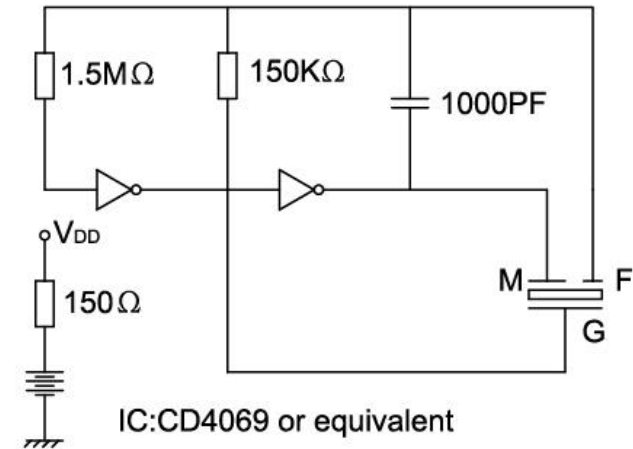


**Product Code:**

LPF3917E-GB-09-3.4-R

 RoHS  
Compliant

**Picture:**

**Test Self-Oscillaton Circuit**
**Self-Oscillation Circuit**

**Specification:**

Rated Voltage	(VDC)	9
Operating Voltage	(VDC)	3~16
*Rated Current	(mA)	≤9
*Sound Output at 30cm	(dB)	≥95
*Resonance Frequency	(KHz)	3.4±0.3
Operating Temperature	(°C)	-20~+70
Storage Temperature	(°C)	-30~+80
Weight	(g)	10.3
Housing Material		PBT
RoHS		Yes

\*Value applying at rated voltage.

Test basic state: Temp(20±2°C) , Humidity(40~70%RH) , Air pressure(860~1060hPa).

**Dimensions (Unit: mm)**

Tolerance: ±0.5mm Except Specified

